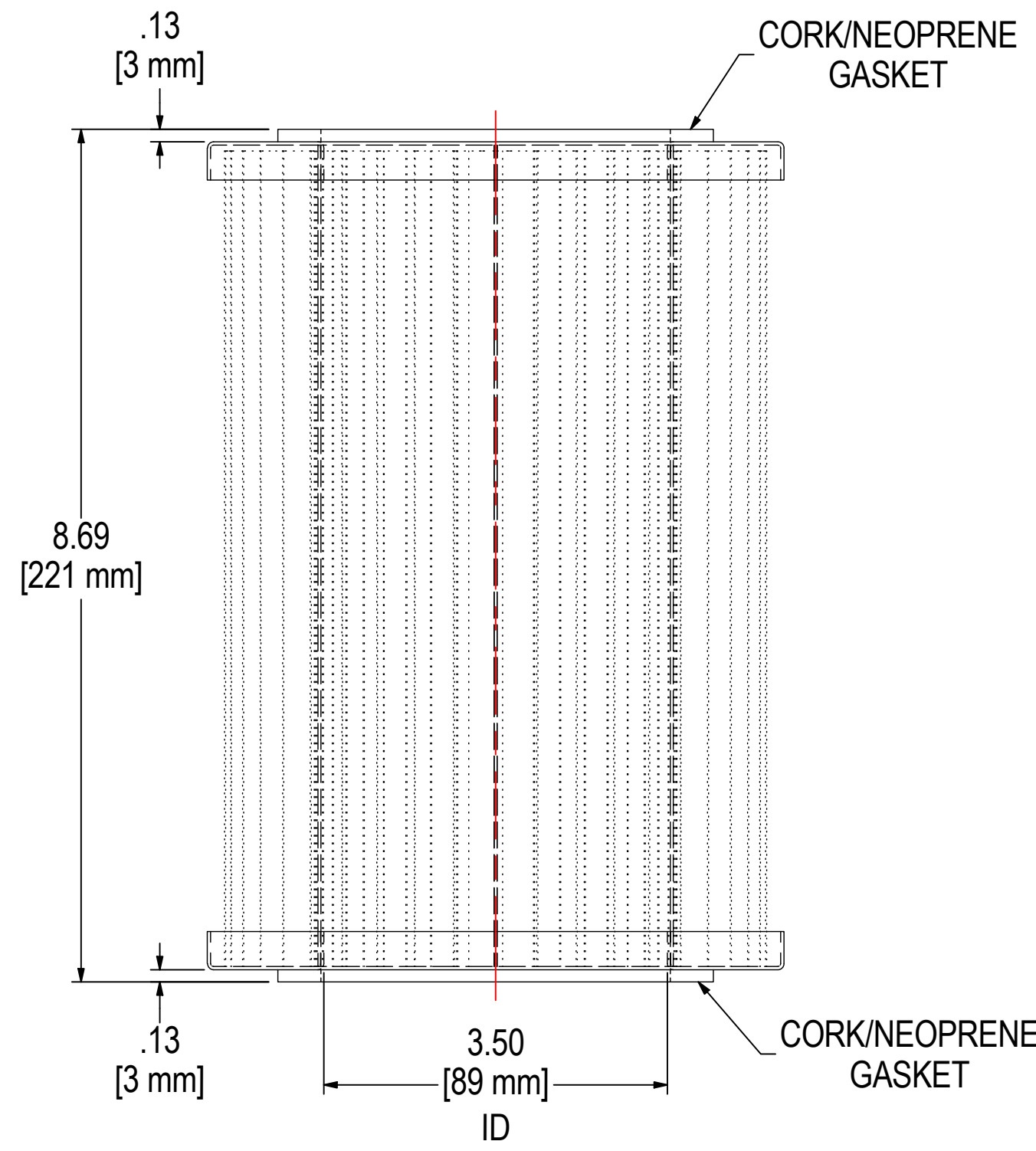
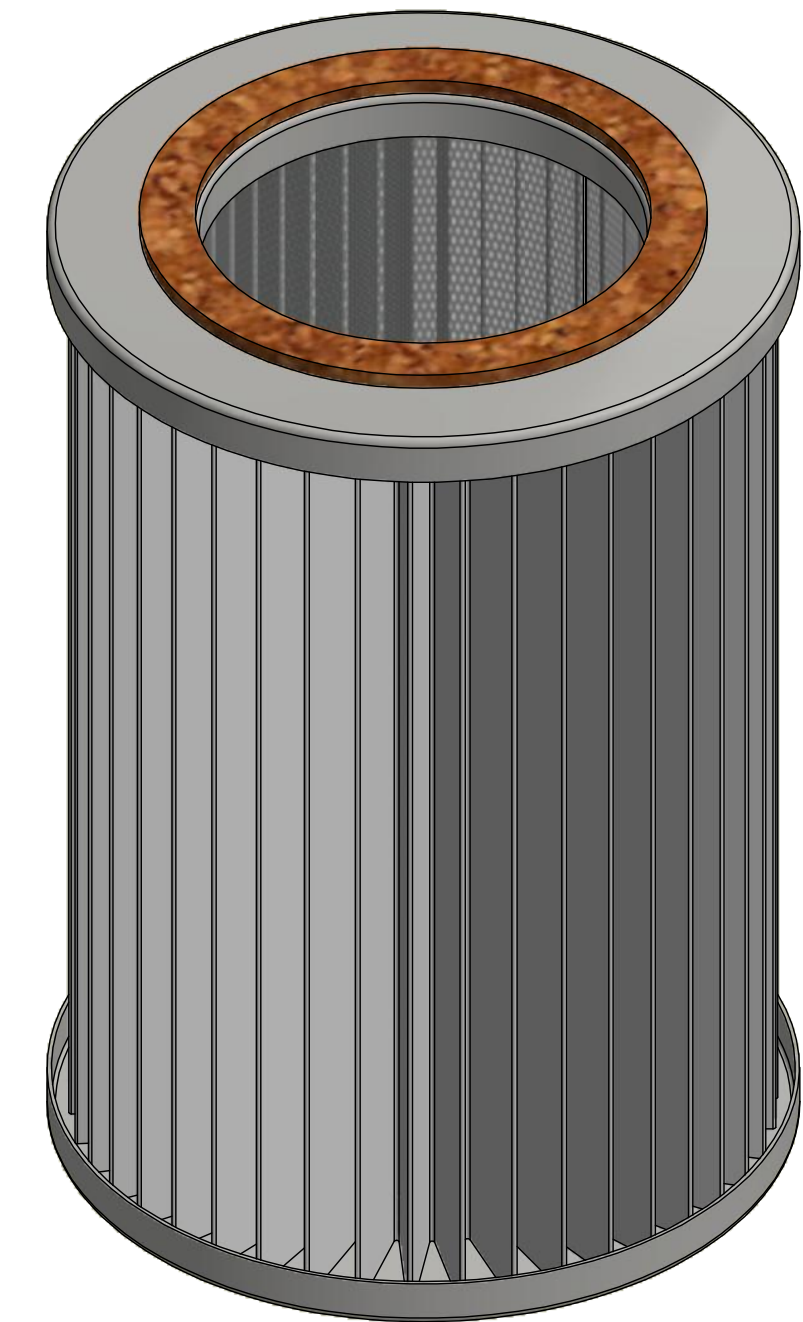
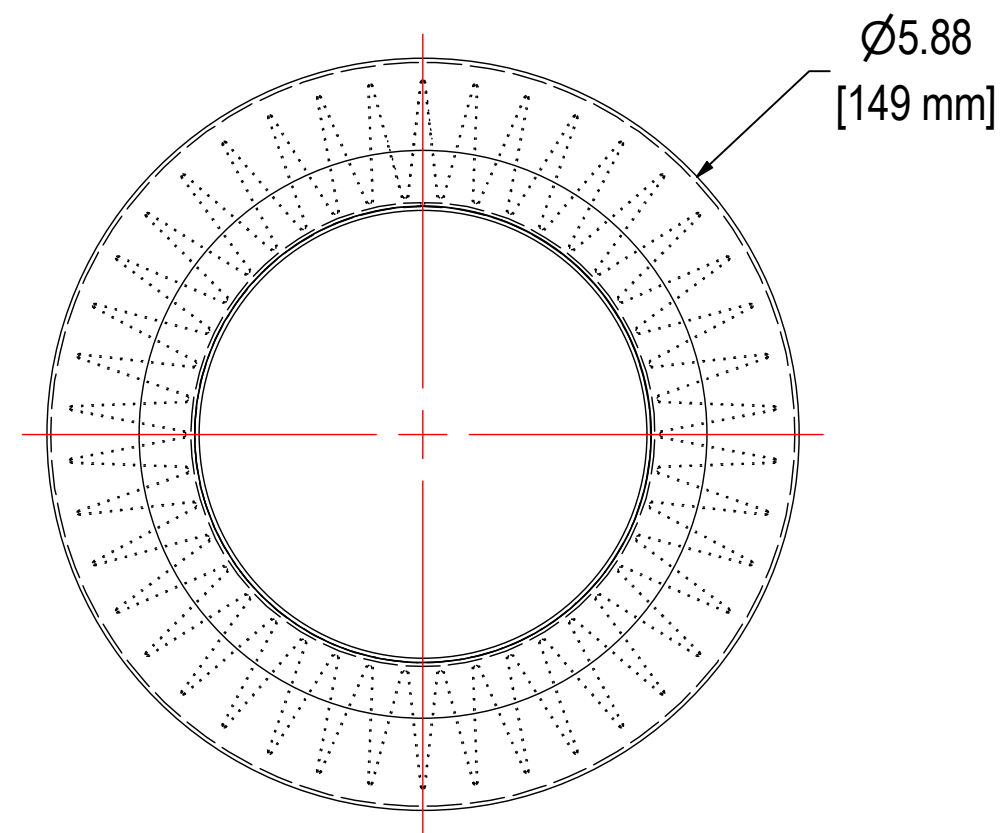


REV	DESCRIPTION	ECN #	CHG BY	DATE	APP'D
A	CONVERTED TO 3D	PER MJC	NAD	07/14/16	EZR
B	UPDATED STANDARD LAYOUT	17839	TAS	12/04/19	NAD



ELEMENT SPECS		
PART NUMBER	851	
MATERIAL	POLYESTER	
FLOW RATE	290 CFM	493 m ³ /hr
SURFACE AREA	4.8 ft ²	0.4 m ²
I.D.	3.50"	89mm
O.D.	5.88"	149mm
HEIGHT	8.69"	221mm

SOLBERG
Filtration • Separation • Silencing
630.773.1363 • www.solbergmfg.com

THE INFORMATION CONTAINED HEREIN IS CONFIDENTIAL AND THE PROPERTY OF SOLBERG MANUFACTURING INC. AND IT IS FURNISHED TO YOU WITH THE EXPRESS UNDERSTANDING THAT IT WILL NOT BE REPRODUCED, COPIED IN ANY MANNER, LOANED OR OTHERWISE TRANSFERRED TO OTHERS ENTIRELY OR IN PART, NOR USED FOR ANY PURPOSE OTHER THAN FOR WHICH IT WAS FURNISHED. IT WILL BE RETURNED UPON REQUEST TO SOLBERG MANUFACTURING INC. THE ABOVE RESTRICTION IS IN ADDITION TO, AND DOES NOT IN ANY WAY ALTER, ANY OTHER RESTRICTIONS WHICH MAY APPLY TO THE INFORMATION CONTAINED HEREIN.

TOLERANCES
DIMENSIONS ARE FOR REFERENCE ONLY. ALL DIMENSIONS ARE SUBJECT TO CHANGE UPON PRODUCTION.
UNLESS OTHERWISE SPECIFIED:
-DIMENSIONS ARE IN INCHES
-REF: APPROXIMATE DIMENSIONS, NO TOLERANCES APPLY
-FINISH: BREAK EDGES TO .005-.020 RADIUS/CHAMFER

MODEL NUMBER: 851	SHEET: 1 OF 1	
DESCRIPTION: 851, POLY		
PROJECT: SD13603	DRAWN BY: CWJ DATE: 5/20/2008	APPROVED BY: DATE:
		REV: B